

**GO2
AUTOMATENR®**



GO2 Technologies designs and builds custom solutions for our clients' engineering integration challenges. Many of these solutions automation without robotics.

GO2 Technologies has a remarkable depth of knowledge in automation integration including vision, guidance, control and programming providing a turnkey solution for our clients.

Our in-house machining capabilities and engineering expertise are under one roof - we bring ROI for our clients!

Call today for a no-obligation assessment of your engineering integration.

ASSEMBLY INSPECTION PARTS LOADING

CUSTOM BUILT SOLUTIONS FROM GO2 TECHNOLOGIES

Engineered Integration for Robotic solutions incorporating:
Vision, Guidance, Controls, Programming, Automation, Robotics

**ASSEMBLY/
PARTS LOADING & VERIFICATION**



*Automated assembly with verification of custom piston seals.
Includes automated parts delivery system.*



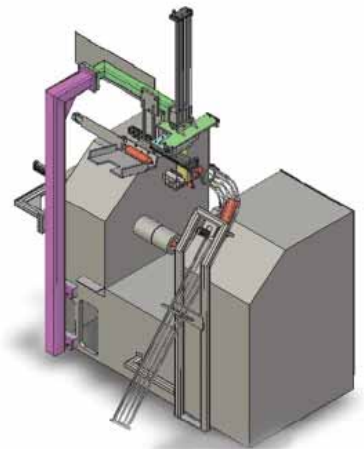
VIDEO: <https://www.youtube.com/watch?v=Xj90IL1TQiw&feature=youtu.be>

PARTS LOADING



GO2 Technologies customizes solutions to our clients' automation needs by adapting in-house machines with automated solutions that boost efficiency while reducing labor costs.

GO2 retrofitted this existing lathe with a loading mechanism which decreased cycle times and increased efficiency between operators and loading the machine.



GO2 Technologies, LLC
850 Falls Creek Drive
Vandalia, Ohio 45377
P: (937) 280-4151
F: (937) 280-4227
www.go2technologies.com

OTHER GO2 TECHNOLOGIES PRODUCTS:

- GO2 End of Arm Tech®
- GO2 Panel®
- GO2 PalleTran®
- GO2 Intelli-Cell®
- GO2 AutomateR®